



上海松铭传动机械有限公司
SHANGHAI SONGMING TRANSMISSION MACHINERY CO.,LTD



公司简介 | Company brief introduction

上海松铭传动机械有限公司是一家研究、设计、销售机械传动类产品的企业，供应产品有：WS/WSD/WSS/WSP万向节、SWP/SWC万向联轴器、ML梅花弹性联轴器、XL/XLD星型弹性联轴器、DJM/JMII/SJM/JMIIJ/ZJM弹性膜片联轴器、TL弹性柱销套联轴器、HL弹性柱销联轴器、ZL柱销齿式联轴器、制动轮式联轴器、铝合金联轴器、UL/LLA/LLB轮胎联轴器、SL十字滑块联轴器，KC/GL链条联轴器、JS蛇型弹簧联轴器、鼓型齿联轴器、凸缘联轴器、JQ夹壳联轴器、WH/SL滑块联轴器、联轴器配件（弹性体/轮胎体/铝合金外罩壳/联轴器膜片组/联轴器弹簧等）、Z型胀紧联结套及SPA/SPB/SPC/SPZ锥套皮带轮等产品，并承接非标传动零部件的定制加工。

产品咨询订购电话：18621008099

联轴器系列

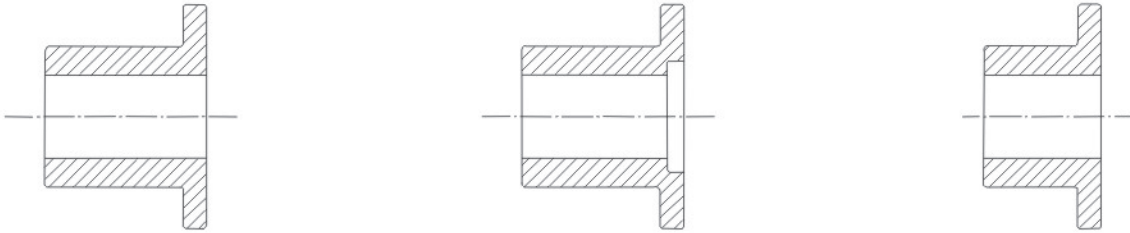


联轴器系列



常用联轴器孔和键槽形式 Mode of hole and key way form of normal couplings

◇ 摘自GB/T3852-1997 《联轴器轴孔和联结型式及尺寸》
The model and marks from GB/T3852-1997 《sizes mode of hole and connecting of coupling》



1、Y型长圆柱形轴孔
(限于长圆柱形轴伸电机端)
1. Y type long ring shaft hole
(Only apply for electrical machine
ends of long open ring shaft)

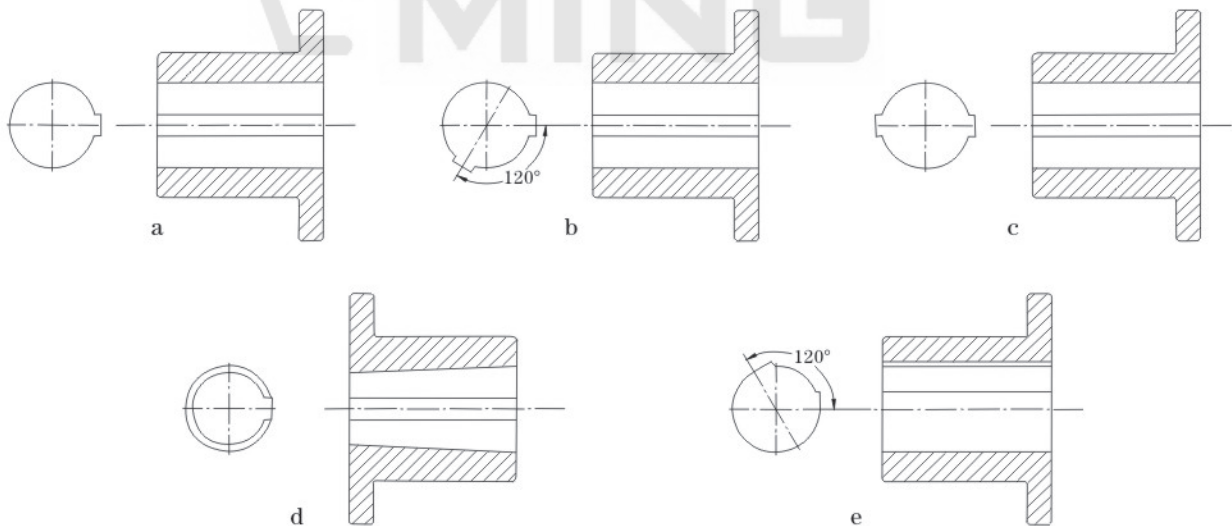
2、J型有沉孔的短圆柱形轴孔
(推荐选用)
2. J type cylindrical shaft hole
with counterbore(commending)

3、J1型无沉孔的短圆柱形轴孔
(推荐选用)
3. J1 type short cylindrical shaft
hole without counterbore
(commending)



4、Z型有沉孔的圆锥形轴孔
4. Z type coniform shaft hole with counterbore

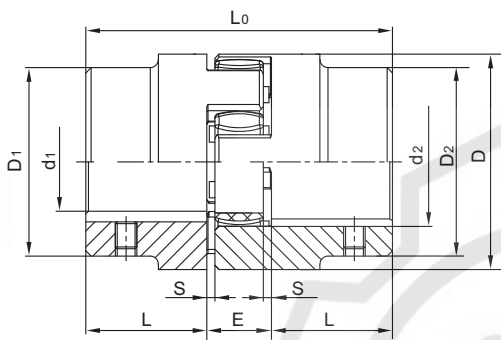
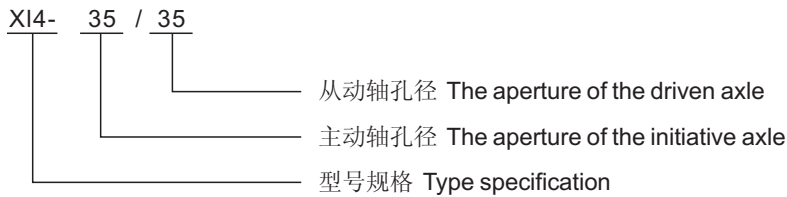
5、Z1型无沉孔的圆锥形轴孔
5. Z1 type coniform shaft hole without counterbore



键槽形式keyway modes

(a)A型平键单键槽； (b)B型120° 布置平键双键槽； (c)B1型布置平键双键槽； (d)C型圆锥形孔平键单键槽； (e)D型普通切向键键槽。
a. A type even single keyway b. B type even double keyway with 120° display C. B1 type even double keyway
d. C type even single keyway with conic hole e. D type normal keyway with tangential key

◇ 标记 Mark



XL 型星形弹性联轴器
XL star type elastic shaft coupling



◇ XL 型星形弹性联轴器的基本参数及主要尺寸

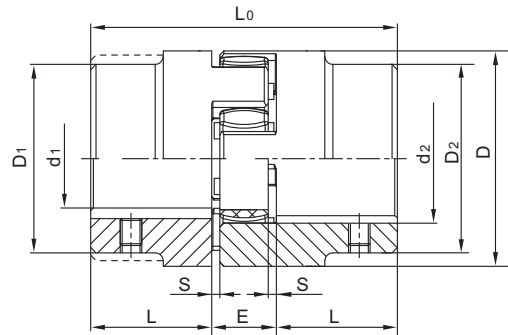
Main size and parameters of XL star type elastic shaft coupling

型号 Type	公称扭矩 Nominal torsion N.m	许用转速 Limited rotational speed r/min	轴孔直径 Diameter of the shaft hole d1、d2mm	轴孔长度 Length of the shaft hole L mm	L0 mm	D mm	D1D2 mm	E mm	S mm	转动惯量 Rotate inertia Kg.cm ²	重量 Weight kg
XL0	12.5	19000	6-16	18	50	30	30	13	1.5	0.00005	0.10
XL1	17	19000	6-19	25	66	40	32	16	2	0.00008	0.30
XL2	60	14000	8-24	30	78	55	40	18	2	0.0002	0.61
XL3	160	11800	10-28	35	90	65	48	20	2.5	0.0007	1.00
XL4	325	9500	12-38	45	114	80	66	24	3	0.002	2.08
XL5	450	8000	14-42	50	126	95	75	26	3	0.004	3.21
XL6	525	7100	15-48	56	140	105	85	28	3.5	0.006	4.41
XL7	685	6300	20-55	65	160	120	98	30	4	0.012	6.64
XL8	940	5600	22-65	75	185	135	115	35	4.5	0.025	10.31
XL9	1920	4750	30-75	85	210	160	135	40	5	0.054	16.03
XL10	3600	3750	40-90	100	245	200	160	45	5.5	0.139	27.50
XL11	4950	3350	50-100	110	270	225	180	50	6	0.245	38.50
XL12	7200	3000	60-110	120	295	255	200	50	6.5	0.435	54.0
XL13	10000	2650	60-125	140	340	290	230	60	7	0.85	81.8
XL14	12800	2380	60-140	155	375	320	255	65	7.5	1.4	109.7
XL15	19200	2000	80-160	175	425	370	290	75	9	2.72	162.7
XL16	28000	1800	85-180	195	475	420	325	85	10.5	4.95	230.8

XLD型扩大轴孔星形弹性联轴器 XLD type star elastic shaft coupling with enlarge hole

◇结构特点

- 轴套使用钢件，特别适用于重载的传动单元，如升降，轧钢机，建筑机械。
- 本联轴器与XL型相似，较适合于孔径更大的安装场合。
- 标记方法同XL型。
- 设计紧凑，转动惯量小。
- 表中是弹性体的硬度为92shA时的公称扭矩值。



◇Design feature

- Shaft sleeves material is steel specially fit for heavy load drive unite, for example elevators rolling mill and construction machines.
- This type coupling is similar with XL it have targer shaft hole which help it fit for many specially situation.
- Mark method is same with XL.
- Compaction design, so it has little inertia.
- The normal torque in the sleet below lie on the hardness of spider is shA 92.

XLD型扩大轴孔星形弹性联轴器
XLD type star elastic shaft coupling with enlarge hole



◇XLD型扩大轴孔星形弹性联轴器基本参数和主要尺寸

Base figure and main size of XLD type star elastic shaft coupling with enlarge hole

型号 Type	公称扭矩 Nominal torsion N.m	许用转速 Limited rotational speed r/min	轴孔直径 Diameter of the shaft hole d1、d2mm	轴孔长度 Length of the shaft hole L mm	L0 mm	D mm	D1 (D2) mm	D2 mm	E mm	S mm	转动惯量 Rotate inertia Kg.cm ²	重量 Weight kg
XLD1	17	19000	6-25	25	66	40	32	40	16	2	0.00008	0.328
XLD2	60	14000	8-35	30	78	55	40	55	18	2	0.0003	0.68
XLD3	160	11800	10-40	35	90	65	48	65	20	2.5	0.0007	1.16
XLD4	325	9500	12-48	45	114	80	66	78	24	3	0.002	2.27
XLD5	450	8000	14-55	50	126	95	75	94	26	3	0.005	3.57
XLD6	525	7100	15-60	56	140	105	85	104	28	3.5	0.008	4.80
XLD7	685	6300	20-70	65	160	120	98	118	30	4	0.016	7.87
XLD8	940	5600	22-75	75	185	135	115	134	35	4.5	0.031	10.89
XLD9	1920	4750	30-90	85	210	160	135	158	40	5	0.068	17.73
XLD10	3600	3750	40-100	100	245	200	160	180	45	5.5	0.159	29.60
XLD11	4950	3350	50-110	110	270	225	180	200	50	6	0.277	43.0
XLD12	7200	3000	60-125	120	295	255	200	230	55	6.5	0.51	58.6
XLD13	10000	2650	60-145	140	340	290	230	265	60	7	1.0	88.4
XLD14	12800	2360	60-165	155	375	320	256	300	65	7.5	1.7	120.8
XLD15	19200	2000	80-190	175	425	370	290	345	75	9	3.35	179.1
XLD16	28000	1800	85-220	195	475	420	325	400	85	10.5	6.37	261.0